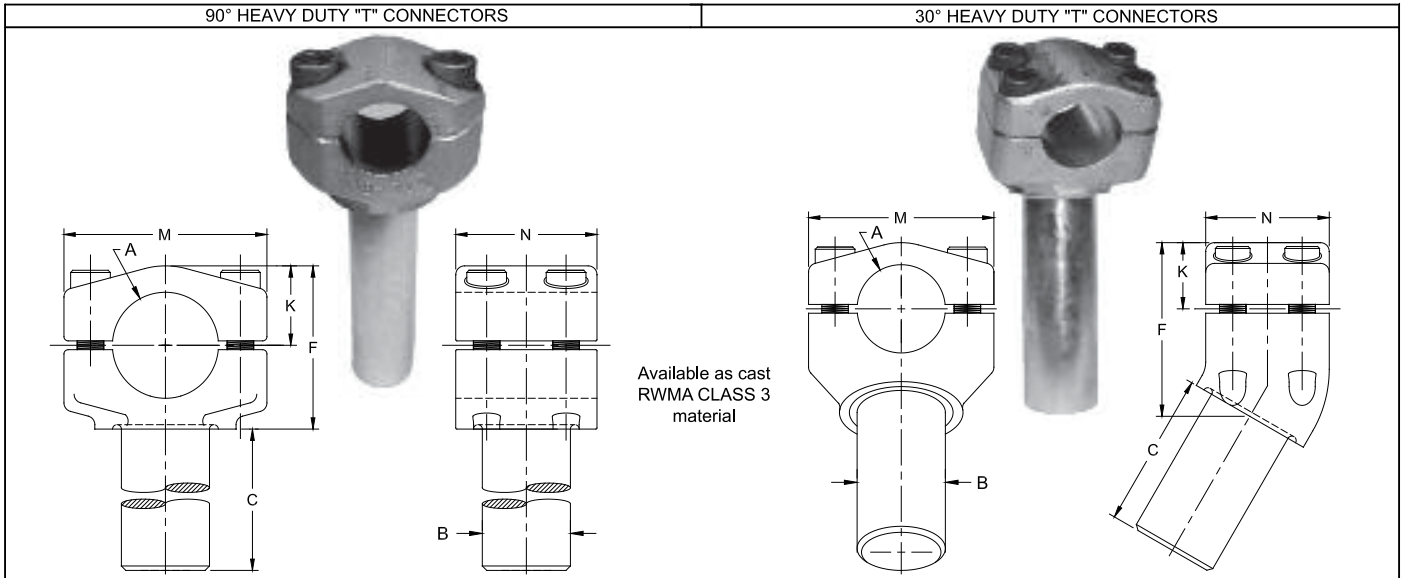


# "T" CONNECTORS FOR HOLDERS



**HEAVY DUTY 90° "T" CONNECTORS**

"T" Connector Assy. No.	Hole Dia. A	Shank Dia. B*	Shank Length C	Head Height F	Hole C.L. Over Top K	Length M	Width N	Number of Bolts
18-725 18-726	1	7/8 1	3	1-3/4	3/4	2-5/16	1-1/2	2 Bolt
18-727 18-728	1-1/4 1-1/2	1-1/4	3-1/2 4	2 2-5/16	15/16 1-1/8	2-5/8 2-7/8	1-3/4 2	4 Bolt
18-729 18-730	1-1/2 1-1/4	1-1/2	4	2-5/16	1-1/8	2-7/8	2	

**HEAVY DUTY 30° "T" CONNECTORS**

"T" Connector Assy. No.	Hole Dia. A	Shank Dia. B	Shank Length C	Head Height F	Hole C.L. Over Top K	Length M	Width N	Number of Bolts
18-731 18-732	1	7/8 1	3	2	3/4	2-5/16	1-1/2	2 Bolt
18-733 18-734	1-1/4 1-1/2	1-1/4 1-1/2	3-1/2 4	2-13/32 2-47/64	15/16 1-1/8	2-5/8 2-7/8	1-3/4 2	4 Bolt

These 30° "T" Connectors may be interchangeable with the 90° universal type "T" Connectors. See page 38 for suggested setups.

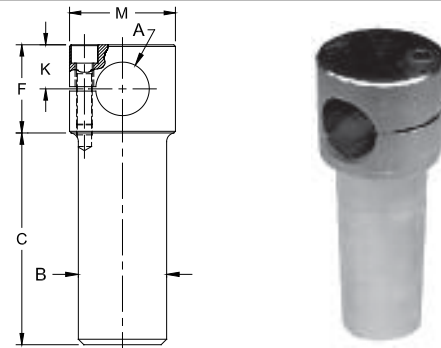
"T" Connectors of other shank diameters and lengths may be ordered upon request.

Available as cast RWMA CLASS 2 material

**SMALL BARREL 90° "T" CONNECTORS**

"T" Connector Assy. No.	Hole Dia. A	Shank Dia. B	Shank Length C	Head Height F	Hole C.L. Over Top K	Dia. M	Number of Bolts
18-720 18-721	3/4	3/4 7/8	3	1-1/4	5/8	1-1/2	1 Bolt
18-722 18-723 18-724		1 1-1/4 1-1/2					

"T" Connectors of other shank diameters and lengths may be ordered upon request.



## THREADED SOCKET (OR BUTTON) ELECTRODES

(USE WITH 900 AND 950 SERIES HOLDERS ON PAGE 48) ALL DIMENSIONS WITH AN (\*) ARE COMMON TO EACH CAP IN A HORIZONTAL LINE.

FLAT FACE	TRUNCATED FACE	RADIUS FACE	OFFSET FACE	30° OFFSET FACE
<p>RWMA CLASS 1 18-970 RWMA CLASS 2 18-980 RWMA CLASS 3 18-990</p>	<p>RWMA CLASS 1 18-971 RWMA CLASS 2 18-981 RWMA CLASS 3 18-991</p>	<p>RWMA CLASS 1 18-972 RWMA CLASS 2 18-982 RWMA CLASS 3 18-992</p>	<p>RWMA CLASS 1 18-973 RWMA CLASS 2 18-983 RWMA CLASS 3 18-993</p>	<p>RWMA CLASS 1 18-974 RWMA CLASS 2 18-984 RWMA CLASS 3 18-994</p>